

## **Bell 505** **JET RANGER X**

- YOM 2018
- 477 Total Time
- One Owner Since New
- Immaculate



**Bell 505**  
**JET RANGER X**

- YOM 2018
- 477 Total Time
- One Owner Since New
- Immaculate

## MAIN FEATURES

- **FLEXIBLE CABIN SPACE**
- **With its flat floor, the Bell 505 adapts to your type of use**
  
- **“ALL GLASS AVIONICS” PANEL**
- **Garmin G1000 panel facilitates pilot work and flight safety**
  
- **EFFICIENT ENGINE POWER**
- **Two channels of FADEC, higher power at altitude and higher efficiency at high temperatures**
  
- **METAL PADDLE SYSTEM**
- **With higher inertia, it provides greater auto-rotation capability without causing any excessive drag.**

**Bell 505**  
**JET RANGER X**

- YOM 2018
- 477 Total Time
- One Owner Since New
- Immaculate

## AVIONICS & INSTALLED EQUIPMENTS

- Garmin G1000H Integrated Avionics Suite
- GIA 63H GPS/WAAS/VHF/COM/NAV
- #2ND VHF COM
- GEA 71H Engine and Airframe Unit
- GMA 350H Audio Panel
- GTX 33H ES Mode S Transponder
- GSU 75 Air Data Attitude Heading
- ADAHRS
- GMU 44 Magnetometer
- Standby Attitude Module (SAM)
- ELETRICAL TOW TUG (GO with the Helicopter)



## **Bell 505** **JET RANGER X**

- YOM 2018
- 477 Total Time
- One Owner Since New
- Immaculate





# **Bell 505** JET RANGER X

- YOM 2018
- 477 Total Time
- One Owner Since New
- Immaculate





# **Bell 505** JET RANGER X

- YOM 2018
- 477 Total Time
- One Owner Since New
- Immaculate





# Bell 505 JET RANGER X

- YOM 2018
- 477 Total Time
- One Owner Since New
- Immaculate

Greece Aviation


 +30 695 519 3957  
 sales@greeceaviation.com  
 info@greeceaviation.com  
 www.greeceaviation.com  
 @greece\_aviation



# **Bell 505** JET RANGER X

- YOM 2018
- 477 Total Time
- One Owner Since New
- Immaculate

Greece Aviation

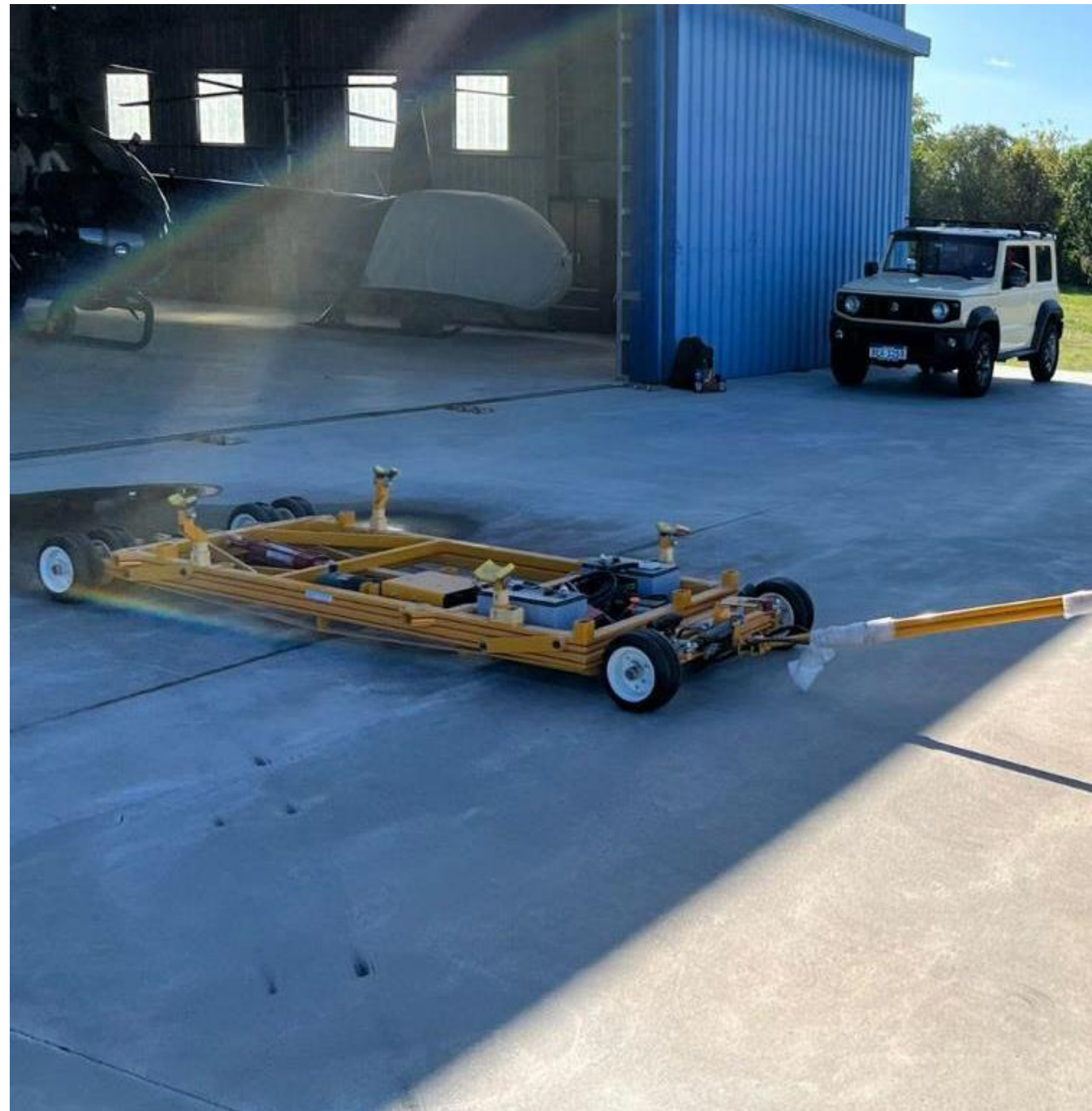
-  +30 695 519 3957
-  sales@greeceaviation.com
-  info@greeceaviation.com
-  www.greeceaviation.com
-  @greece\_aviation





**Bell 505**  
**JET RANGER X**

- YOM 2018
- 477 Total Time
- One Owner Since New
- Immaculate



# Bell 505 JET RANGER X

- YOM 2018
- 477 Total Time
- One Owner Since New
- Immaculate

## Greece Aviation

+30 695 519 3957  
 sales@greeceaviation.com  
 info@greeceaviation.com  
 www.greeceaviation.com  
 @greece\_aviation

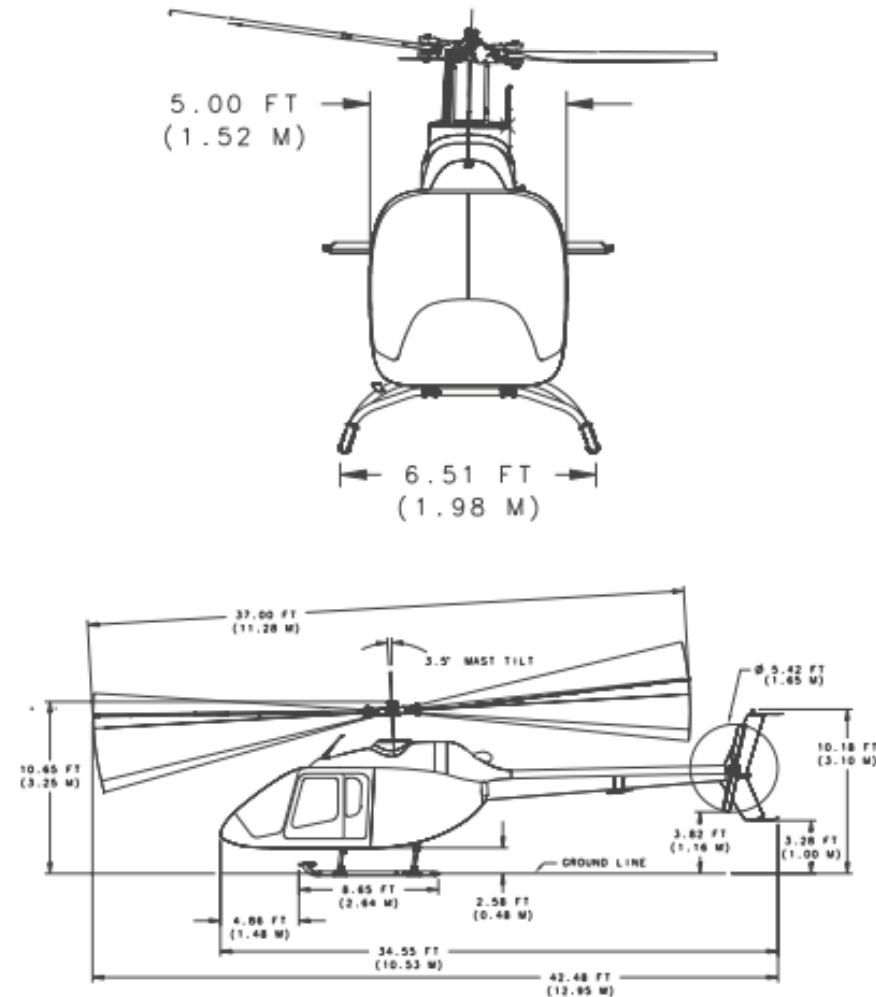
### TECHNICAL SPECIFICATIONS

	Metric	Imperial
Empty Weight	989 kg	2,180 lb
Internal Gross Weight	1,669 kg	3,680 lb
Useful Load	680 kg	1,500 lb
External Gross Weight	2,030 kg	4,475 lb
Hover Ceiling (In Ground Effect) <sup>1</sup>	4,404 m	14,450 ft
Hover Ceiling (Out of Ground Effect) <sup>1</sup>	3,188 m	10,460 ft
Service Ceiling <sup>1</sup>	5,672 m	18,610 ft
Max Cruise Speed <sup>1</sup>	231 km/hr	125 knots
Range (Cruise Speed, No Reserves) <sup>1</sup>	566 km	306 nm
Endurance (60 kts, No Reserves) <sup>1</sup>	3.9 hours	3.9 hours
Fuel Capacity (Jet A)	321 L	84.85 USG
Total Cabin Volume <sup>2</sup>	2.8 m <sup>3</sup>	99 ft <sup>3</sup>
Rear Cabin Volume	1.73 m <sup>3</sup>	61 ft <sup>3</sup>
Copilot Volume	1.08 m <sup>3</sup>	38 ft <sup>3</sup>
Baggage Compartment Volume	.51 m <sup>3</sup>	18 ft <sup>3</sup>

### Equipment

Engine	Safran HE Arrius 2R	
Type	Gas Turbine	
Takeoff Horsepower <sup>3</sup>	505 SHP	377 kW
Maximum Continuous Horsepower <sup>3</sup>	459 SHP	342 kW
Engine Control	Full Authority Digital Engine Control (FADEC)	

<sup>1</sup> Sea Level, ISA, Max Gross Weight  
<sup>2</sup> Excluding Pilot Volume  
<sup>3</sup> Uninstalled Thermodynamic Rating





**Bell 505**  
**JET RANGER X**

- YOM 2018
- 477 Total Time
- One Owner Since New
- Immaculate

Asking Price U\$ Contact

Notes

- Specifications for Informational Purposes do not constitute Warranties
- Specifications subject to Buyer's Independent verification after Inspection.
- Aircraft subject to Prior Sale, Lease and/or Removal from the Market without Prior Notice